

Written-off Light Vehicle Notification

Important information

- Use this form to notify Transport for NSW about a written-off light vehicle for recording on the Written-Off Light Vehicles Register.
- This notification must be provided to Transport for NSW within 7 days after:
 - the vehicle has been assessed as a write-off and before disposal of the vehicle
 - the vehicle has been sold by a self-insurer to a vehicle recycler
 - a vehicle recycler decides to dismantle or demolish the vehicle.
- Written-off light vehicles must also have a written-off light vehicle warning label attached within the same 7 day period under section 97 of the *Road Transport Act 2013*
- This notification is required under section 93 of the *Road Transport Act 2013*

1. Vehicle details

Vehicle type (please tick)

- Light passenger or commercial vehicle
 Caravan
 Light prime mover
 Light truck
 Motorbike
 Trailer

Registration number

Make

Model

VIN (17 characters)

--	--	--	--	--	--	--	--	--	--	--	--	--	--	--	--	--	--

Colour

Vehicle shape

Variant

Compliance date

day	/	month	/	year
-----	---	-------	---	------

Engine number

Engine capacity

Number of cylinders

Motive Power

GVM (if applicable)

Tare weight

Engine manufacturer

2. Incident details

Assessment date

day	/	month	/	year
-----	---	-------	---	------

Notifier's or insurance reference number

3. Notifier's details

Type of notifier (please tick)

- Insurer
 Auction house
 Dealer
 Motor vehicle recycler
 Self insurer (owner)

Surname

Given name(s)

Company name / business name (if applicable)

ABN / ACN (if applicable)

Address

Postcode	

Driver licence number

TfNSW customer number

Telephone number

Email address

Are you making this notification on behalf of a business or another person / insurer / owner / motor vehicle recycler / auction house / dealer?

Yes - supply name below

No

continued page 2

Send this completed form to:

Transport for NSW
 Written-off Vehicle Unit
 PO Box 3035 Parramatta NSW 2124 | E WOVR@transport.nsw.gov.au

4. Salvage condition

Select (tick) the 'incident type' that has resulted in the damage

- Statutory write-off (**has** sustained damage as listed in the damage assessment criteria)
- Statutory write-off (**has not** sustained damage as listed in the damage assessment criteria)
- Hail (has sustained only hail damage and retained by the registered operator)

5. Incident type

Select (tick) the 'incident type' that has resulted in the damage

Note: Only use damage severity codes shown in brackets for the table in Q5.

- D** - Dismantled (H)
- F** - Fire (N,O,P)
- I** - Impact (A,B,C,D,E,F,G)
- H** - Hail (A,B,C,D,F,G)
- W** - Water (L,M)
- M** - Malicious / vandalism / stripped (B,F,G,H,I,J,K)

Damage Severity Codes

- | | |
|---------------------------|--------------------------|
| A Heavy panel | I Minor stripping |
| B Light panel | J Major vandalism |
| C Heavy structural | K Minor vandalism |
| D Light structural | L Water (salt) |
| E Unrepairable | M Water (fresh) |
| F Major damage | N Burnt/blistered |
| G Minor damage | O Smoke and heat |
| H Major stripping | P Minor smoke |

6. Damage details

Damage location and damage severity codes

Enter applicable damage severity codes (listed in brackets at Q4) against the numbered damage locations in the Incident Table below. Diagrams of the damage location can be found on page 3 and 4.

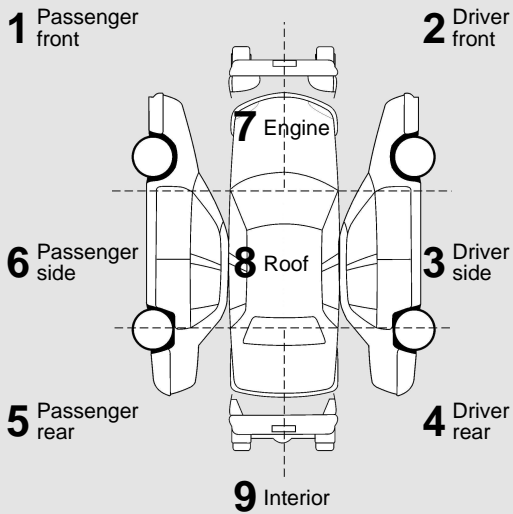
*Note: Damage locations 10,11,12,13 are for motorbike, caravans and trailers only. Locations 42,43,44, 45 are for light trucks and light prime movers only.

Incident Table

Damage location	Damage severity	Damage location	Damage severity
1		24	
2		25	
3		26	
4		27	
5		28	
6		29	
7		30	
8		31	
9		32	
10 *		33	
11 *		34	
12 *		35	
13 *		36	
14		37	
15		38	
16		39	
17		40	
18		41	
19		42 *	
20		43 *	
21		44 *	
22		45 *	
23			

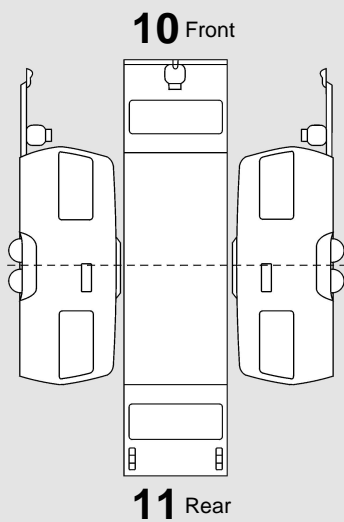
Damage Location Codes

Light passenger or commercial vehicle

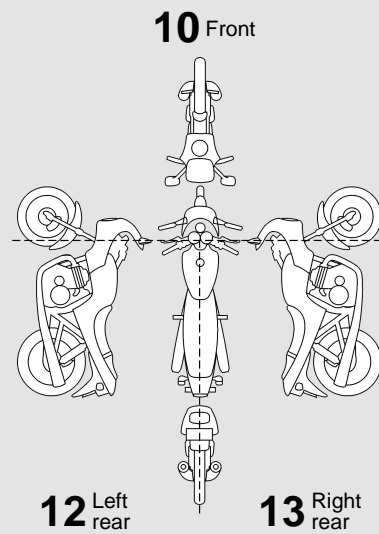


- 14 Whole vehicle
- 15 Floor pan (passenger front)
- 16 Fire wall
- 17 Chassis/structural rails (passenger)
- 18 Floor pan (driver rear)
- 19 Floor pan (driver front)
- 20 Floor pan (passenger rear)
- 21 Chassis/structural rails (driver)
- 22 A pillar passenger
- 23 A pillar driver
- 24 B pillar passenger
- 25 B pillar driver
- 26 C pillar passenger
- 27 C pillar driver
- 28 D pillar passenger
- 29 D pillar driver
- 30 Engine block (cracked, fractured)
- 31 Transmission case
- 32 Differential case
- 33 Axle housing
- 34 Suspension (passenger front)
- 35 Suspension (driver front)
- 36 Suspension (passenger rear)
- 37 Suspension (driver rear)
- 38 Airbag front
- 39 Airbag side
- 40 Airbag curtain
- 41 Seat belt pre-tensioner

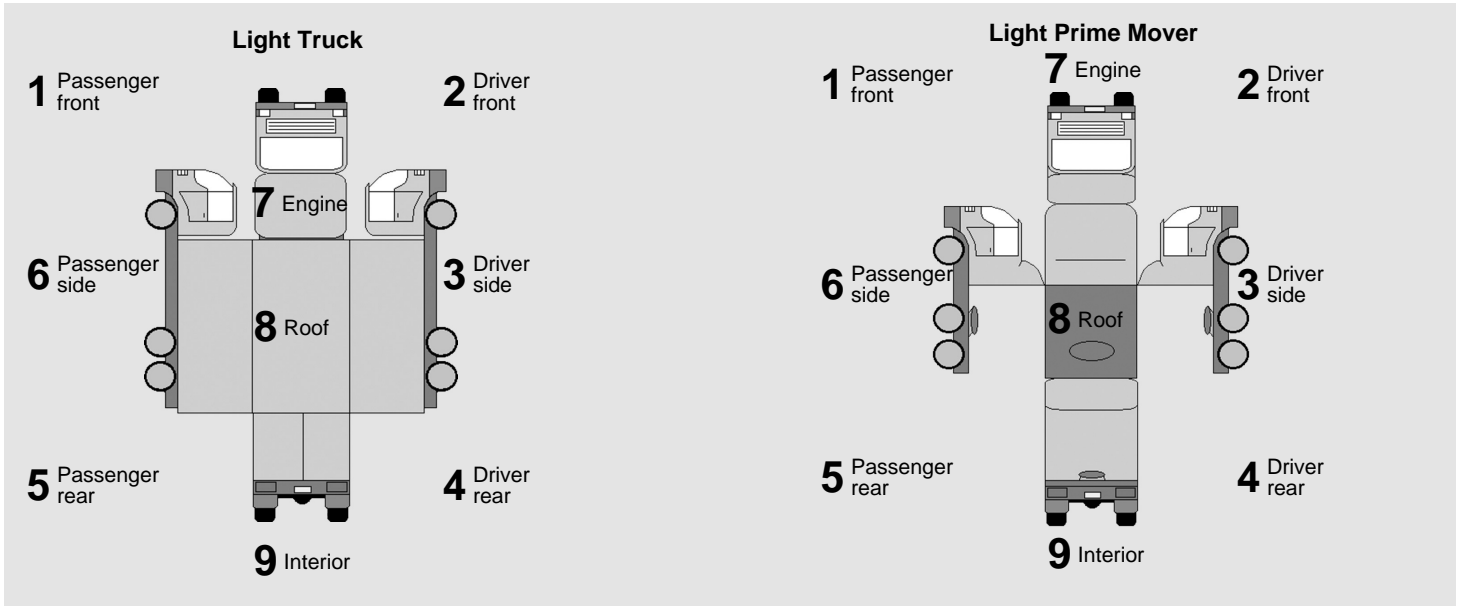
Caravan / trailer



Motorbike



Damage Location Codes



- | | | | |
|----|---|----|--|
| 14 | Whole vehicle | 31 | Transmission case |
| 15 | Floor pan (<i>passenger front</i>) | 32 | Differential case |
| 16 | Fire wall | 33 | Axle housing |
| 17 | Chassis/structural rails (<i>passenger</i>) | 34 | Suspension (<i>passenger front</i>) |
| 18 | Floor pan (<i>driver rear</i>) | 35 | Suspension (<i>driver front</i>) |
| 19 | Floor pan (<i>driver front</i>) | 36 | Suspension (<i>passenger rear</i>) |
| 20 | Floor pan (<i>passenger rear</i>) | 37 | Suspension (<i>driver rear</i>) |
| 21 | Chassis/structural rails (<i>driver</i>) | 38 | Airbag front |
| 22 | A pillar passenger | 39 | Airbag side |
| 23 | A pillar driver | 40 | Airbag curtain |
| 24 | B pillar passenger | 41 | Seat belt pre-tensioner |
| 25 | B pillar driver | 42 | Battery pack |
| 26 | C pillar passenger | 43 | Tow Point (<i>eg fifth wheel, turntable, king pin, drawer bar, hook, eyelet</i>) |
| 27 | C pillar driver | 44 | Aux Equipment (<i>eg crane, concrete pump or mixer, tank, pump, garbage compactor</i>) |
| 28 | D pillar passenger | 45 | Hydraulic or other Lifting Equipment (<i>eg the ram on a tipping trailer</i>) |
| 29 | D pillar driver | | |
| 30 | Engine block (<i>cracked, fractured</i>) | | |

7. Customer declaration

**Please read carefully before you sign.
If you do not tell the truth you can be prosecuted.**

You declare that the information on this form is true and complete.

Section 307C of the Crimes Act 1900 makes it an offence for you to provide false or misleading information.

Customer signature

Date

Personal Information Collection Notice

Transport for NSW is committed to protecting your privacy and ensuring your personal and health information is managed according to law. Find out why we collect your personal information, including how we use and manage it, by reading our privacy statement at transport.nsw.gov.au/privacy-statement or phone **13 22 13** to request a copy.